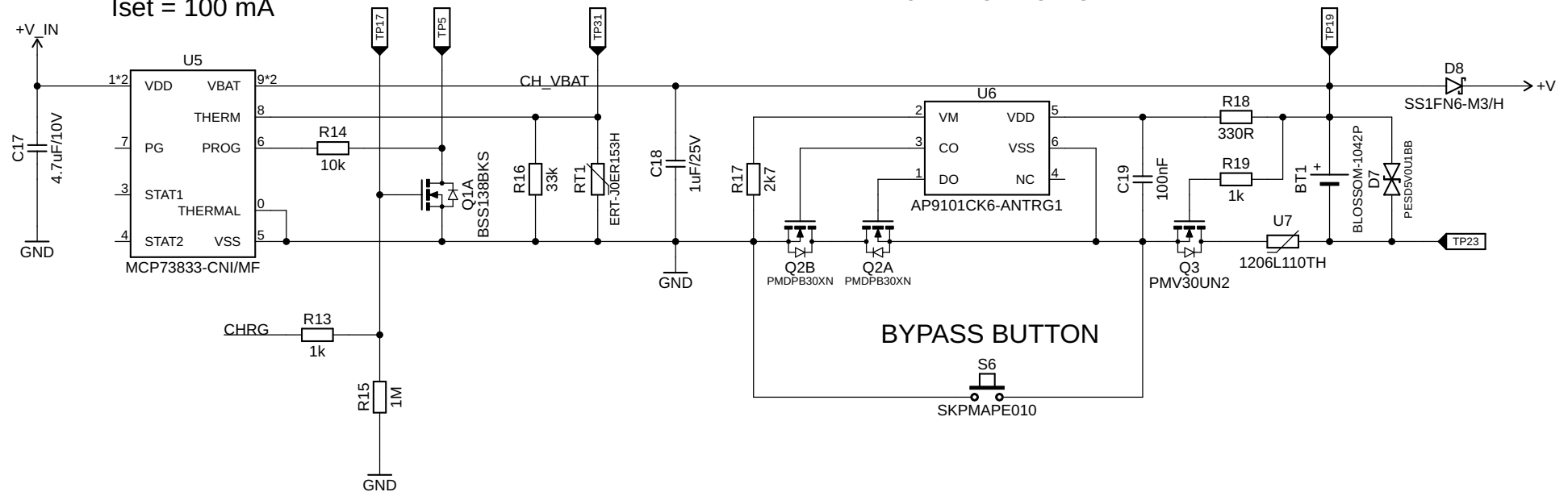
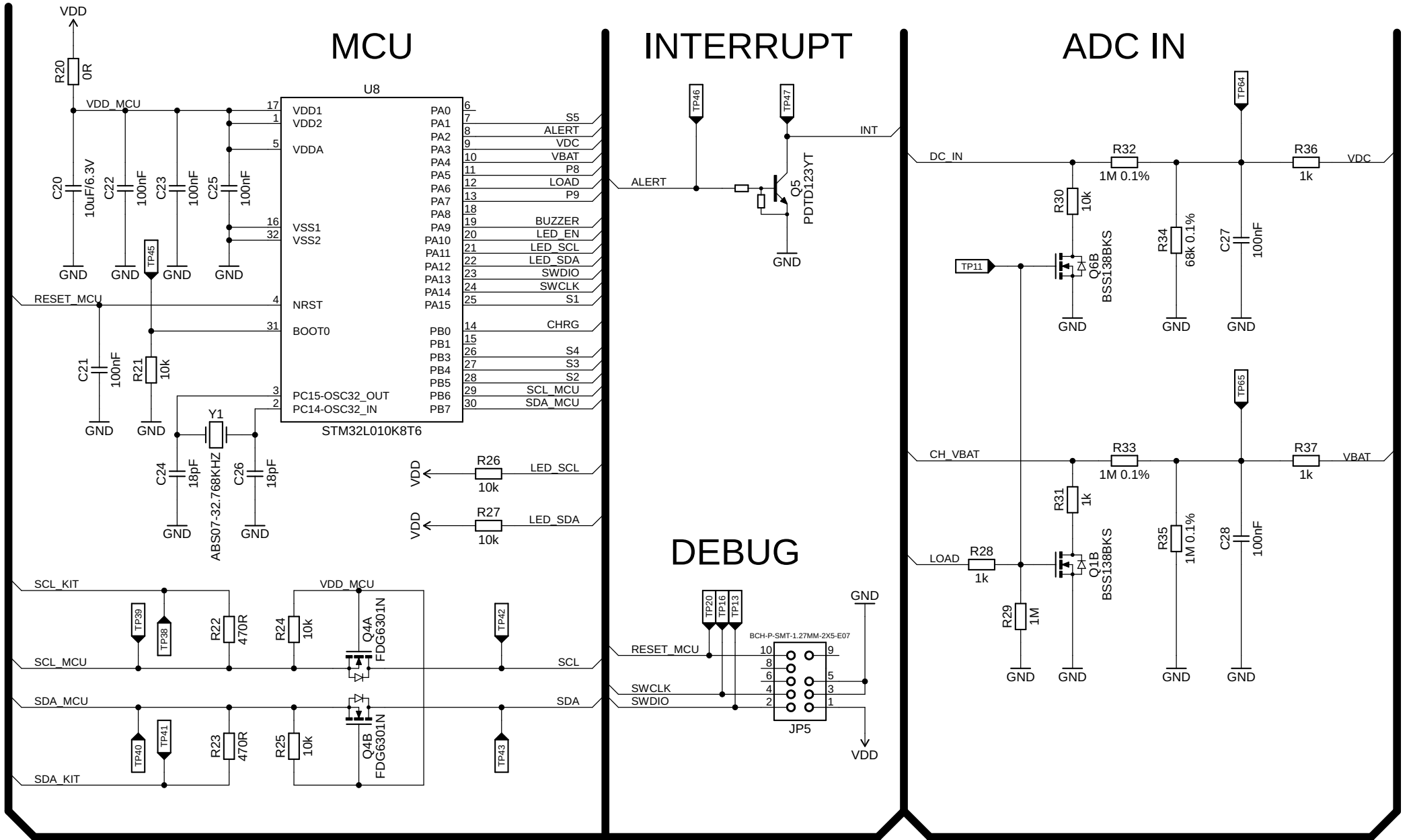


HARDWARIO AGILE HARDWARE DEVELOPMENT WWW.HARDWARIO.COM	CHESTER-Z1	
	REVISION: R2.1 MODIFIED: 9/12/2023 6:44 PM	1/5

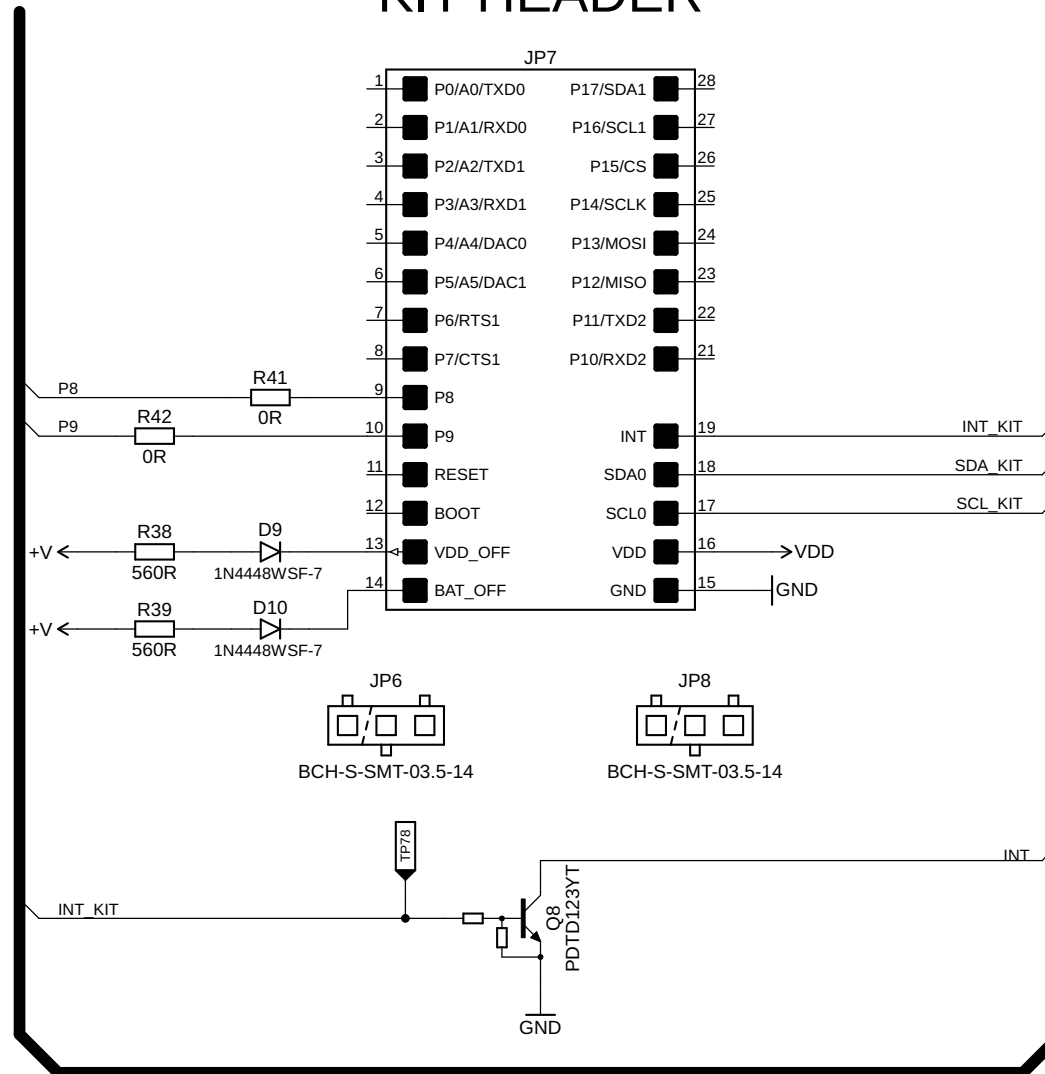
Li-Ion CHARGER Iset = 100 mA

Li-Ion PROTECTION

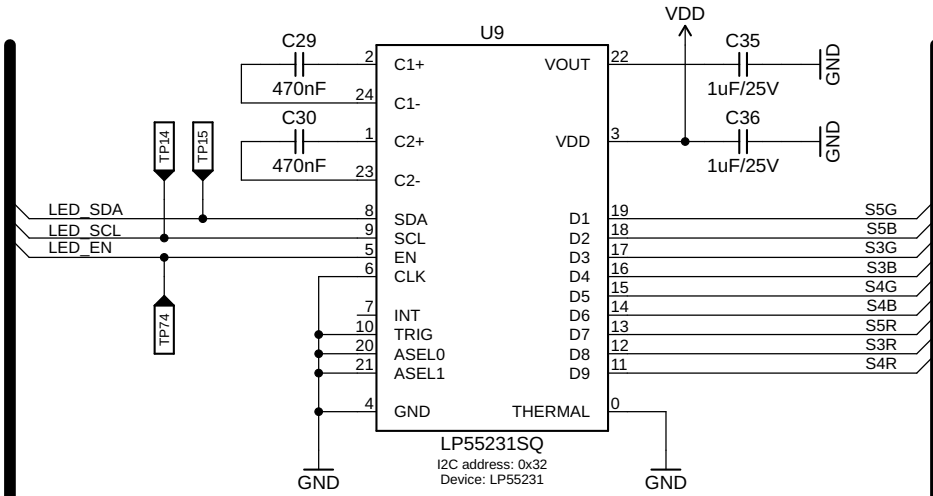




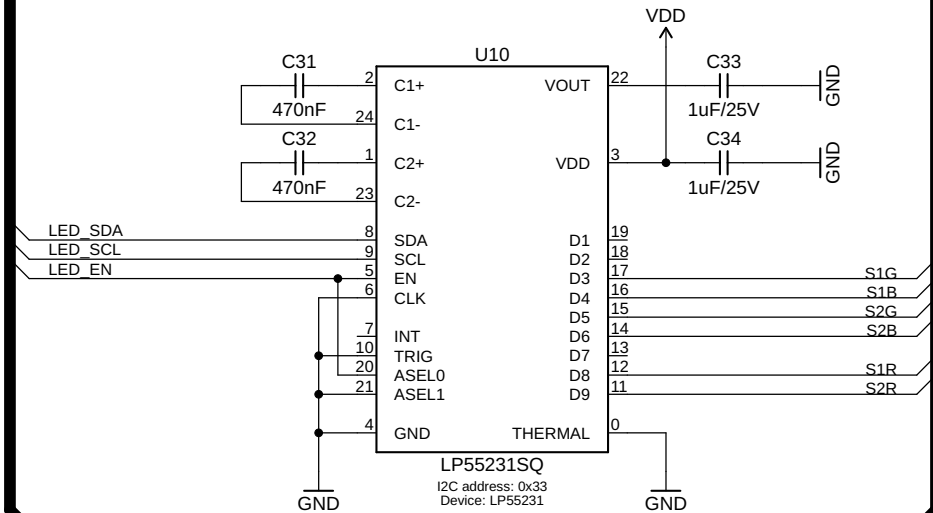
KIT HEADER



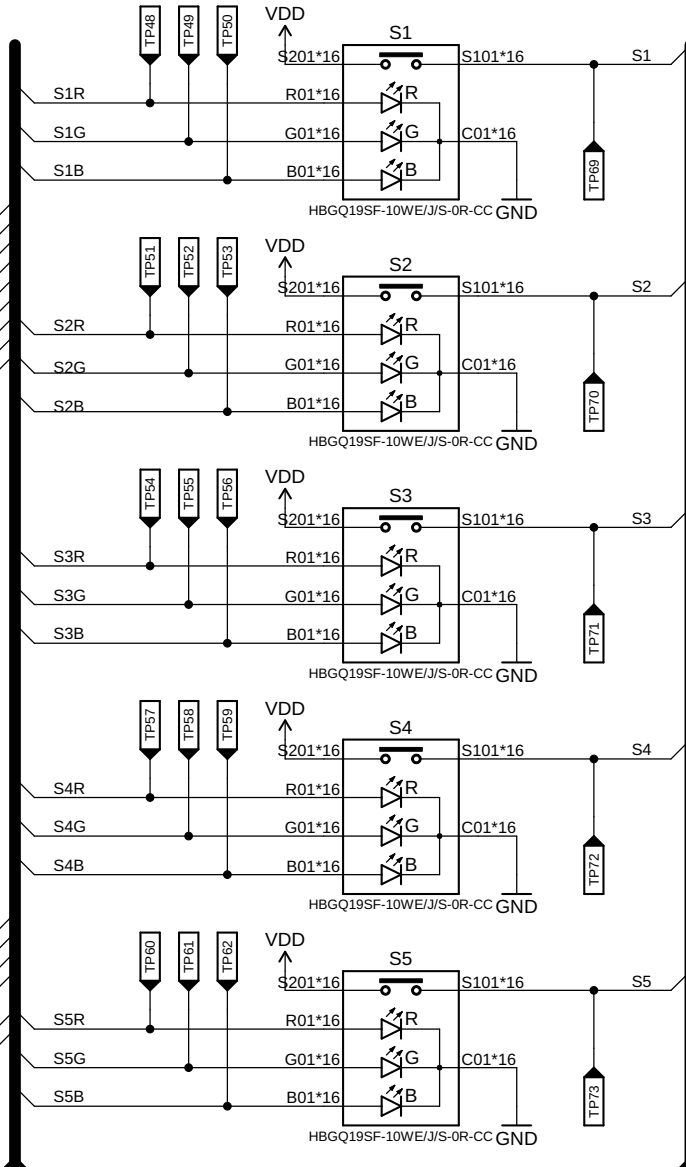
RGB DRIVER



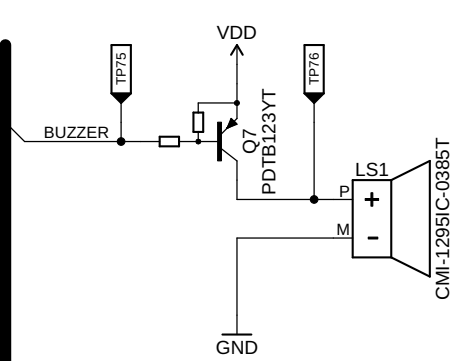
RGB DRIVER



BUTTONS



BUZZER



HARDWARIO AGILE HARDWARE DEVELOPMENT WWW.HARDWARIO.COM	CHESTER-Z1	
	REVISION: 2.1 MODIFIED: 9/12/2023 6:44 PM	5/5